

# Wireless Sensors

## ZigBee Pro Wall Motion Sensor

The wireless wall-mounted motion sensor is an accessory for the SE8000 Series Room Controllers. Detecting motion in a room, it is ideal for use in hotels, schools, dormitories, military barracks and other similar facilities.

compatible with  
SmartStruxure™  
SmartStruxure Lite  
ZENO InnPoint™



SOSW-2

ZENO Controls

(877) 874-8774

saveEnergy@ZENOcontrols.com



# Wall Motion Sensor Features



## AT A GLANCE

- Compact size
- Three color LED event indication
- Long battery life (up to 5 years)
- Easy battery replacement
- ZigBee Pro wireless low power communication
- Easy pairing with SE8000
- Reports on : Occupied / Unoccupied /Stand-By modes within its viewing range



A sleek, compact, and easy to install wireless sensor that provides motion and occupancy information to enable Room Controllers to further optimize management of HVAC and other systems.

## Introduction

The SED-WMS-P wall-mounted motion sensor communicates wirelessly with SE8000 Series Room Controllers, reporting occupant motion from anywhere within its viewing range. Using this additional information, the SE8000s advanced occupancy management control sequences regulate HVAC equipment and other connected systems to maximize energy savings without compromising comfort.

In hotels and other hospitality facilities, the motion sensor enables the automated set-back or stand-by of HVAC equipment and other systems to reduce unnecessary energy consumption.

## Use and compatibility

The SED-WMS-P is compatible with the SE8300 low-voltage fan coil unit controller equipped with a VCM8000V5045P ZigBee Pro® communication module.

## Installation

The sensor requires no communication or power wiring. Communication is wireless using ZigBee Pro. Power is provided by batteries included in the product's box. Not having to pass or connect cabling makes installation fast and easy, reducing the labor costs on deployment.

- Battery life up to 5 years
- Battery status is communicated to the SE8000

## Communication

- ZigBee Pro to compatible SE8000 Room Controllers

## Integration

The motion status and battery status can be accessed through the display of SE8000 Room Controllers. They are also visible in SmartStruxure™ solution (StruxureWare™ Building Operation) when the SE8000 is integrated via BACnet® MS/TP or in SmartStruxure Lite solution (StruxureWare Building Expert) when the SE8000 is integrated via ZigBee Pro. It is not recommended to use ZigBee networking between MPMs for an installation where ZigBee sensors will be used. The ZigBee sensors will not function unless bound to the ZigBee network coordinator directly.

# Wall Motion Sensor Features

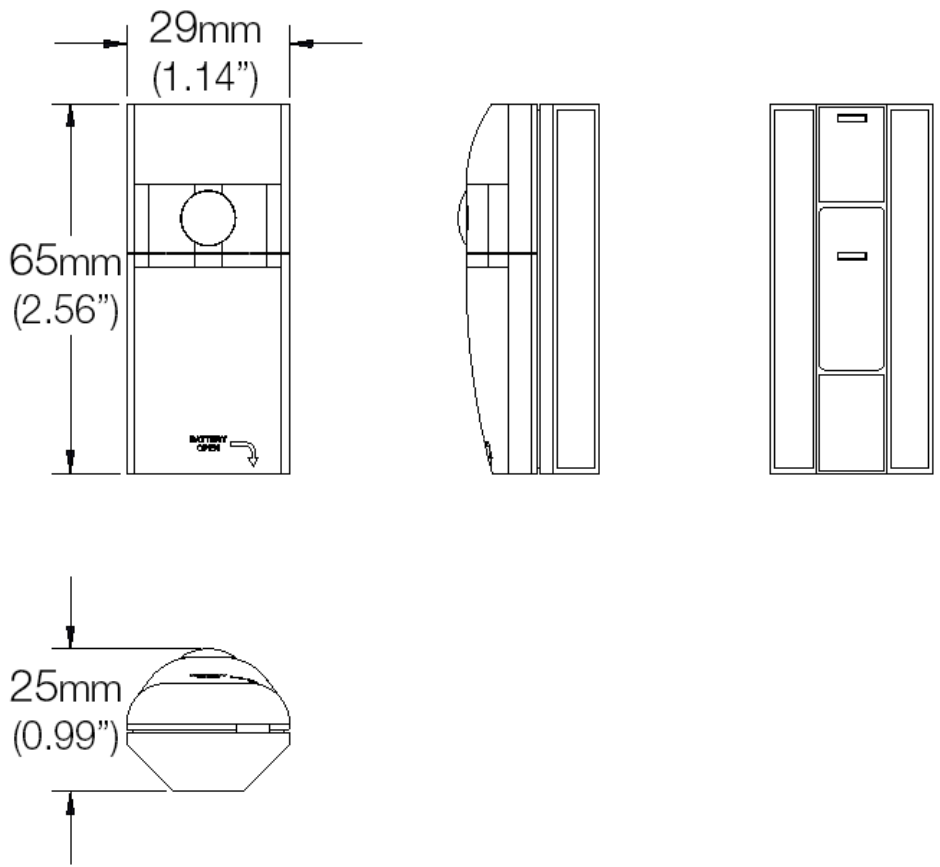
## Specifications

<b>Dimensions</b>	65mm wide x 29mm high x 25mm thick (2.56in wide x 1.14in high x 0.99in thick)
<b>Color</b>	White
<b>Weight</b>	30g (1.06oz) with battery
<b>Communication</b>	ZigBee, HA1.2 Compatible
<b>Communication Range</b>	Up to 40ft (12m) open field 300ft (100m)
<b>Battery Voltage</b>	3.0VDC Lithium
<b>Battery Cell</b>	CR2 (recommended Panasonic CR15H270)
<b>Battery Life</b>	Up to 5 years
<b>Ambient Temperature</b>	-10°C to +50°C (+14°F to +122°F)



Check with your local government for instruction on disposal of these products.

## Dimensions



## Wall Motion Sensor Ordering Information

SOSW-2 ZENO Wireless PIR Motion / Vacancy Sensor (2.4 GHz ZigBee Pro, wall-mount)



ZENO Controls  
 (877) 874-8774  
 saveEnergy@ZENOcontrols.com